

### Fanless 1-litre slim PC with ATI graphics, DVD drive and Windows 8

XS 3531MB V3 is a fully configured slim PC with 4 GB RAM, 500 GB hard disk, DVD-R/W drive and Windows 8 operating system. The powerful AMD Radeon™ HD 7410M graphics card makes fluent video playback on full-HD displays a reality. The Atom D2550 processor clocked at 2x 1.86 GHz offers sufficient computing power for a wide range of possible applications and the system barely consumes about 19~27 Watts. This PC comes totally fanless making it perfect to be used in noise-sensitive environments. XS 3531MB V3 features WLAN and card reader, and sports an array of connectors too which include HDMI, D-Sub (VGA), 5x USB, VGA, Gigabit-LAN and 2x audio ports. It's a slim and stylish PC targeted for daily home or office applications and is capable of playing Full HD 1080p video and 3D contents.

### XS 3531MB V3

Slim PC



#### Feature Highlights

<b>Chassis</b>	<ul style="list-style-type: none"> <li>• Slim 1.5 litre chassis</li> <li>• Dimensions: 25.2 x 16.2 x 3.85 cm</li> <li>• Hole for the Kensington Lock</li> <li>• Optional: VESA75/100 mounting kit PV01</li> </ul>
<b>Operating system</b>	<ul style="list-style-type: none"> <li>• Windows 8, 64 bit</li> </ul>
<b>CPU</b>	<ul style="list-style-type: none"> <li>• Intel Atom D2550 Dual Core (1.86 GHz)</li> </ul>
<b>Chipset</b>	<ul style="list-style-type: none"> <li>• Intel NM10 Express Chipset</li> </ul>
<b>Graphics</b>	<ul style="list-style-type: none"> <li>• AMD Radeon HD 7410M, 512MB DDR3</li> <li>• DirectX 11, Shader Model 5.0</li> </ul>
<b>Memory</b>	<ul style="list-style-type: none"> <li>• 4 GB DDR3-1333 SO-DIMM memory</li> </ul>
<b>Storage</b>	<ul style="list-style-type: none"> <li>• Slim-line DVD-R/W drive</li> <li>• 500 GB 2.5" Serial ATA hard disk</li> <li>• SD card reader</li> </ul>
<b>Connectors and WLAN</b>	<ul style="list-style-type: none"> <li>• HDMI v1.4a</li> <li>• D-Sub VGA</li> <li>• 5x USB 2.0 (1x front, 4x rear)</li> <li>• 2x Audio (mic, head phone)</li> <li>• Gigabit-LAN</li> <li>• WLAN 802.11 b/g/n</li> </ul>
<b>Power supply</b>	<ul style="list-style-type: none"> <li>• External 40W fanless power supply</li> </ul>
<b>Applications</b>	<ul style="list-style-type: none"> <li>• Basic and Home-Media</li> </ul>

Images are only for illustration purposes.



Shuttle order no: PET-XS353MB2

## Shuttle Barebone XS 3531MB V3 - Product Features



### Slim and stylish

Designed as a space-saver, this sleek 1.5 litre nettop PC only measures 3.8cm in width. It maximizes space whether it is placed upright using its stylish stand or affixed to the back of a display with the optional VESA mounting kit (PV01). Due to its small size and flexible design, this practical nettop offers exceptional functionality and is well-suited for home users, small offices, reception areas, classrooms, libraries, showrooms, call centres, public institutions and more.



### Fanless and quiet

The Shuttle Barebone XS 3531MB V3 comes totally fanless making it perfect to be used in noise-sensitive environments such as living rooms, hospitals, libraries etc. As an additional benefit, fanless cases rarely gather dust on the inside and stay cleaner than others. So it's not only quiet and low in energy use, but also dust-free and virtually maintenance free.

### The Atom processor integrates the memory controller

Shuttle XS 3531MB V3 is equipped with Intel's Atom processor D2550 (1.86 GHz, codenamed Cedarview). It comes with both the memory controller and graphics core on-die which helps to keep heat dissipation and memory latency low. The CPU is connected to the Southbridge NM10, codenamed Tiger Point.

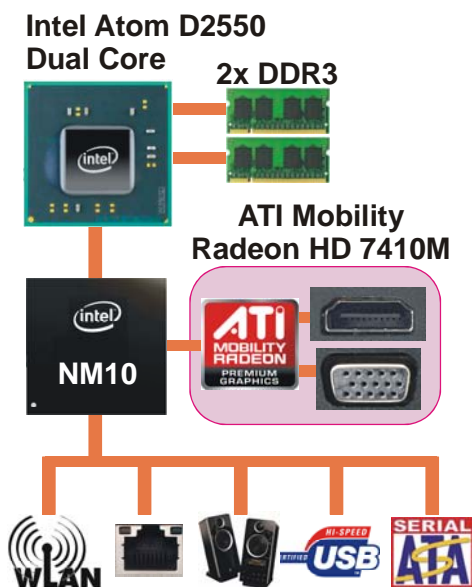
### Dual Core. Do more.

Shuttle always uses the dual-core variant of Intel's Atom processors and thus integrates the Atom D2550. This boosts the system performance significantly with particular regards to multi-threaded applications.

### AMD Radeon HD 7410M graphics

Even with the small size, the Shuttle Barebone XS 3531MB V3 is equipped with AMD Radeon HD 7410M graphics for a power-packing slim PC that's unmatched in size and performance – and is made for more than just entertainment. Key benefits are:

- Better Performance for 3D rendering and video playback
- Digital 7.1 channel audio output over HDMI
- Supports DirectX 11 and Shader Model 5.0
- Ready to take on games





**Highly energy-saving**

The XS 3531MB V3 barely consumes, depending on system load, about 19~27 Watts. Running the device 5 days a week for eight hours a day, the annual consumption would amount to less than 40kWh which would mean just 12 Euros on the power bill (20 Euro ct/kWh) - way less than a conventional desktop PC draws.



**Two monitor support with HDMI (DVI) and D-Sub/VGA**

The integrated graphics supports multiple display support on up to two separate monitors via HDMI (DVI through optional adapter) and D-Sub/VGA. This improves the capabilities and productivity of the user by allowing them to spread multiple windows over two monitors and view them simultaneously.



**XS 3531MB V3 supports Full HD 1080p video**

The XS 3531MB V3 with AMD Radeon HD 7410M graphics offers a plus in performance - experience movies at full-HD 1080p quality. The Shuttle Barebone XS 3531MB V3 even takes on games. Benefit from an increase in performance when playing and converting videos, editing images and working with different applications at once. With AMD Radeon HD 7410M you get the maximum out of Windows 7.



**SD card reader**

The built-in SD card reader at the front side makes it easy to transfer files from your camera so you can share videos and photos on your XS 3531MB V3 with ease.



**Kensington Lock**

This is a small, metal-reinforced hole as part of an anti-theft system. As known from notebooks, this Mini-PC can also be safely locked by tying it to a solid object.  
(The lock-and-cable apparatus is not included.)



### Tiny power adapter

The external 40W power adapter is virtually noiseless and can easily be hidden behind the desk thanks to its tiny dimensions.

Dimensions: 89.5 x 37 x 26.5 mm (LWH) = 88ml



### Optional VESA mount (Accessory PV01)

Its optional VESA75/100 wallmount allows it to be installed on to walls or just affixed on the rear side of a monitor which is particularly interesting for the industry segment, company buildings and public institutions.



### Note on operating position

Please make sure the system is always placed upright using either its stand or the optional VESA mount. Ventilation holes must not be blocked to ensure sufficient cooling.

## Shuttle Barebone XS 3531MB V3 Specifications

<i>Fanless and silent</i>	<p>Passive cooling, no fan noise at all          Perfect to be used in noise-sensitive environments          Fanless, dust-free and thus virtually maintenance-free</p>
<i>Chassis</i>	<p>Dimensions without Stand: 25.2 x 16.2 x 3.85 cm (DxHxW)          Hole for the Kensington Lock at the back panel          Optional accessory: 75mm and 100mm VESA mounting kit (PV01)</p>
<i>Operation System</i>	<p>Windows 8 (64 bit)          6 languages available: German, English, French, Dutch, Italian, Spanish</p>
<i>Processor</i>	<p>Intel Dual Core Atom processor D2550 (Codename: Cedarview)          Intel Hyper-Threading technology: 2-threads per core          32 nm manufacturing process, Micro-FCBGA11 package          Intel 64 architecture, Core clock: 1.86 GHz, L2 Cache: 1024kB , TDP: max. 10W          Supports SSE2, SSE3, SSSE3, Execute Disable Bit          Integrated North Bridge with controller for memory and graphics</p>
<i>Cooling</i>	<p>Passive, completely fanless cooling through convective heat transfer          Warning: Please make sure the system is always placed upright using either its stand or the optional VESA mount.          Ventilation holes must not be blocked to ensure sufficient cooling.</p>
<i>Chipset</i>	<p>Intel® NM10 Express Chipset (south bridge)          Platform Controller Hub (PCH)          Code name: Tiger Point</p>
<i>BIOS</i>	<p>AMI BIOS in a 8Mbit Flash ROM supports PnP, ACPI 2.0          Supports external USB flash memory card boot up          Supports Power fail resume / AC power on state / always on / always off          Supports Wake-on-LAN (WOL) from S3, S3, S5 ACPI states          Supports Unified Extensible Firmware Interface (UEFI)</p>
<i>Memory</i>	<p>4 GB DDR3-1333 SO-DIMM memory (at DDR3-1066 speed)          Supported maximum capacity: 4 GB</p>
<i>Hard disk</i>	<p>500 GB 2.5" Serial ATA hard disk</p>
<i>DVD drive</i>	<p>Slim-line DVD-R/W drive          Serial ATA interface, 12.7 height, slim-line SATA connector</p>

<p><i>Integrated Graphics</i></p>	<p>AMD Radeon™ HD 7410M graphics processor (Dedicated 3D graphics card)            VRAM: 512MB DDR3, 800MHz, 64 bit, 160 Stream Processing Units, 40nm technology            Supports DirectX 11, Shader Model 5.0, OpenGL 4.1            Unified Video Decoder (UVD 3) dedicated video playback accelerator            Supports full HD decode (1080i/p)            Support for up to 2 simultaneous displays:            1) Digital HDMI™ 1.4a, max. resolution: 1920x1200            2) Analog D-Sub VGA, max. resolution: 2048x1536            Supports Extended Desktop Mode and Clone Mode            Integrated HD audio controller for 7.1 Surround Sound via HDMI.            Supports AC-3, AAC, Dolby TrueHD and DTS Master Audio formats.</p>
<p><i>Integrated Audio</i></p>	<p>Integrated Audio            IDT92HD81 Audio Codec with Azalia support            Two analog audio connectors (3.5mm):            1) Line out (head phone)            2) microphone input            Supports digital 7.1 HD audio via the HDMI port.</p>
<p><i>Card Reader</i></p>	<p>Integrated card reader supports SD, SDHC and SDXC memory flash cards</p>
<p><i>Wired Network</i></p>	<p>RJ45 connector supports Gigabit LAN at 10/100/1000 Mbit/sec.            Network controller JMC 251            Supports Wake-on-LAN (WOL) from S3, S3, S5 ACPI states</p>
<p><i>Wireless Network</i></p>	<p>Supports IEEE 802.11b/g/n, max. 150Mbps up-/downstream            Security: WPA/WPA2(-PSK), WEP 64/128bit, IEEE 802.11x/i            Half size Mini-PCIe-Card</p>
<p><i>Connectors</i></p>	<p>HDMI v1.4a digital video and audio output            D-Sub/ VGA analog video ( 15 pin)            5x USB 2.0 (1x front, 4x rear)            Gigabit network (LAN, RJ45)            Audio Line-out (head phone)            Microphone input            DC input for the external power adapter</p>
<p><i>LEDs and buttons</i></p>	<p>Power button            Power LED (white)            Hard disk LED (blue)</p>
<p><i>Power supply</i></p>	<p>External 40W AC/DC power adapter (fanless), 19V / 2.1A            AC Input: 100~240V AC, 50~60Hz, Automatic voltage adjust            Dimensions: 89.5 x 37 x 26.5 mm (LWH)            DC Connector: 5.5/2.5mm (outer/inner diameter)</p>
<p><i>Optional accessories</i></p>	<ul style="list-style-type: none"> <li>- VESA mount made of metal (PV01)</li> <li>- Adapter for second 2.5" drive instead of optical drive (PHD2)</li> </ul>

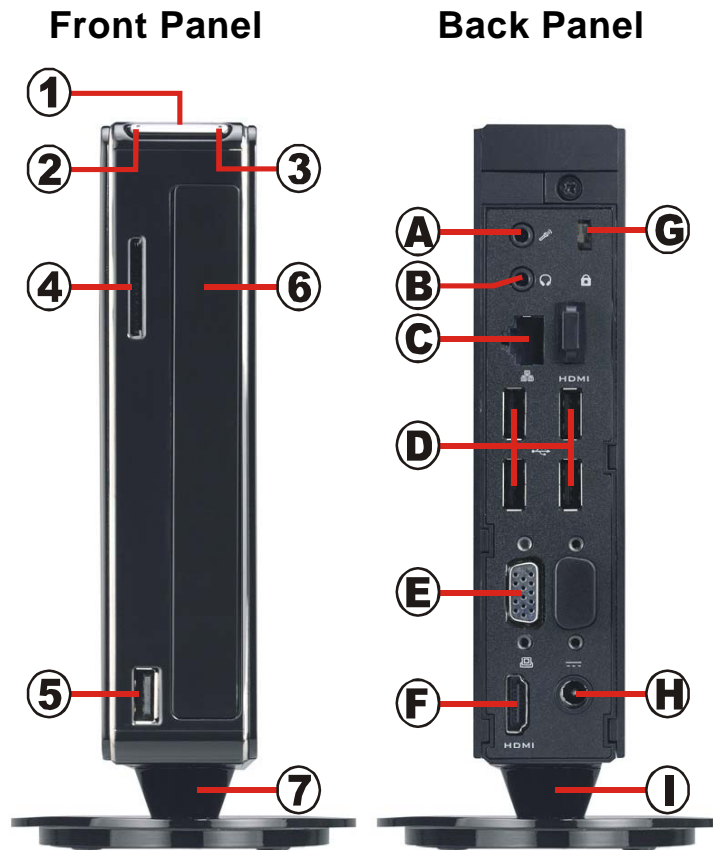
### Environmental spec

Operating temperature range: 0~35°C  
Relative humidity range: 10~90% (non-condensing)

### Certification and Compliance

EMI: CE, FCC, BSMI, C-Tick, CCC  
Safety: CB, BSMI, ETL  
Other compliances: RoHS, Eup Lot6  
This device is classed as a technical information equipment (ITE) in class B and is intended for use in living room and office. The CE-mark approves the conformity by the EU-guidelines:  
- EMV-guideline 89/336/EWG electromagnetic tolerance  
- LVD-guideline 73/23/EWG use of electric devices within certain voltage-limits

Shuttle Barebone XS 3531MB V3 – Connectors



- 1 Power button
- 2 Power LED
- 3 Hard disk LED
- 4 SD card reader
- 5 USB connector
- 6 Bay for the optical slimline drive \*)
- 7 Vertical stand

- A Microphone input
- B Head phone output (Line out)
- C Gigabit LAN connector (RJ45)
- D 4x USB connectors
- E D-Sub/VGA connector
- F HDMI connector
- G Hole for the Kensington-Lock
- H Connector for the power adapter
- I Vertical stand



**Warning:**  
Please make sure the system is always placed upright using either its stand or the optional VESA mount. Ventilation holes must not be blocked to ensure sufficient cooling.



## Shuttle XS Series Product Comparison

## Comparison: Shuttle Slim-PC XS35V3L Series (Barebone/System)

Model	Type	Graphics	OS	RAM	HDD	DVD	Order no	Barcode
XS35V3L	Barebone	Intel GMA3650	-	-	-	-	PEB-XS35U3L01	811686004288
XS35GSV3L	Barebone	ATI HD 7410M	-	-	-	-	PEB-XS35S3L11	811686004295
XS35-703 V3L	System w/o OS	Intel GMA3650	-	2 GB	320 GB	-	PEC-XS35U3L01	4046047102600
XS35GS-803 V3L	System w/o OS	ATI HD 7410M	-	2 GB	320 GB	-	PEC-XS35S3L21	4046047102648
XS35GS-804 V3L	System w/o OS	ATI HD 7410M	-	2 GB	500 GB	Yes	PEC-XS35S3L11	4046047102655
XS 3501BA V3	System with OS	Intel GMA3650	Win 7 Pro	2 GB	320 GB	-	PET-XS353BA2	4046047102624
XS 3531MA V3	System with OS	ATI HD 7410M	Win 7 HP 32	2 GB	500 GB	Yes	PET-XS353MA1	4046047102662
XS 3531MB V3	System with OS	ATI HD 7410M	Win 8 64 bit	4 GB	500 GB	Yes	PET-XS353MB2	4046047102525

## Comparison: Shuttle Slim-PC Barebone PC XS35/XS36 Series

Model	Graphics	HDMI	DVI	D-Sub	RS232	WOL	ODD [4]	Atom Processor	Memory	LAN
XS35	Intel GMA3150	-	-	Yes	-	-	Yes	D510 (1.66 GHz)	Max. 2GB DDR2-800 [6] 1x SO-DIMM	100
XS35GT	NVIDIA ION2	Yes	-	Yes	-	-	Yes			
XS35V2	Intel GMA3150	-	-	Yes	-	-	Yes	D525 (1.80 GHz)	Max. 4GB DDR3-800 [6] 1x SO-DIMM	Giga
XS35GT V2	NVIDIA ION2	Yes	-	Yes	-	-	Yes			
XS35GTA V2	ATI Mobility Rad. HD 5430	Yes	-	Yes	-	-	Yes			
XS35GS V2	ATI Radeon HD 7410M	Yes	-	Yes	-	-	Yes			
XS35V3(L)	Intel GMA3650 [2]	Yes	-	Yes	-	Yes [3]	Yes	Without "L": D2700 (2.13 GHz)	Max. 4GB DDR3-1066 [6]	Giga
XS35GTA V3 [1]	ATI Radeon	Yes	-	Yes	-	Yes [3]	Yes	"L"-version: [5]		
XS35GS V3L	HD 7410M									
XS36V(L)	Intel GMA3650 [2]	Yes	Yes	Yes	2x	Yes [3]	-	D2550 (1.86 GHz)	2x SO-DIMM	

[1] XS35GTAV3 is also called XS35GS V3 outside EU.

[2] Intel offers sophisticated graphics driver for the integrated Intel GMA3650 graphics only for Windows 7 32 bit. Linux can be used in standard mode without video and 3D acceleration. (date Oct. 2012)

[3] Supports Wake-on-LAN (WOL), Power fail resume (always on/off) and Resume by RTC Alarm

[4] "ODD" means 5.25" bay for an optical drive in slim-line format

[5] In 2012, Intel phased out the Atom D2700 processor and introduced the D2550 as its successor. This new model comes with a slightly reduced clock rate, while any other features are maintained.

[6] DDR3-1333 is supported at DDR3-1066 or DDR3-800 clock rate, respectively.



Images are only for illustration purposes.