

### Ultra Small Media PC

The Shuttle XPC mini X 200 is just 5.5 cm tall and masterly designed to save your desk space with performance specifications ideal for multi-media applications such as video editing or just watching DVDs. Equipped with Intel's latest Core 2 Duo mobile processor, Intel GMA950 onboard graphics accelerator with DVI/VGA out and multi-channel digital audio, the Shuttle XPC mini X 200 offers the exceptional combination of the powerful performance and greatest convergence and potential for future applications. Moreover, the connectivity options include LAN, card reader and USB 2.0. There are even optional features like Wireless LAN and a MCE compliant Hybrid TV tuner including remote control. Just plug in your display, keyboard and mouse and you've got an incredibly compact Media-PC, delivering a great digital entertainment experience with the traditional XPC charm that many have come to love. The Shuttle XPC mini X 200 is an ideal for many applications: Digital hub (music, photos and video); Desktop replacement; Home media center; Home office platform.

### Shuttle XPC mini X200



Pictures for illustration purposes only.

### Feature Highlight

Category	<ul style="list-style-type: none"> <li>Home / Business / Media Center</li> </ul>
OS	<ul style="list-style-type: none"> <li>Microsoft Windows XP Home/Pro/MCE 2005</li> </ul>
Processor	<ul style="list-style-type: none"> <li>Socket 479 supports Intel Mobile Processors with 65nm Technology: Core 2 Duo, Core Duo, Core Solo, Celeron M 4xx</li> </ul>
Memory	<ul style="list-style-type: none"> <li>DDR2-553/667 SO-DIMMs up to 2 GB</li> </ul>
Chipset	<ul style="list-style-type: none"> <li>Intel 945GM + ICH7M</li> </ul>
Graphics	<ul style="list-style-type: none"> <li>Intel GMA 950, DirectX 9, 224MB UMA, DVI-I</li> </ul>
Audio	<ul style="list-style-type: none"> <li>7.1 HD-Audio, SPDIF out + analoge ports</li> </ul>
LAN	<ul style="list-style-type: none"> <li>Fast Ethernet 10/100 Mbit/s</li> <li>Optional Wireless LAN 54 Mbit/s</li> </ul>
Storage	<ul style="list-style-type: none"> <li>Standard 3.5" hard disk, S-ATA 3 Gbit/s</li> <li>Slot-in DVD writer or DVD combo drive</li> <li>4-in-1 memory card reader</li> </ul>
TV tuner (optional)	<ul style="list-style-type: none"> <li>Optional Hybrid TV tuner Mini PCI card</li> <li>Optional Shuttle MCE remote control</li> </ul>
Other ports	<ul style="list-style-type: none"> <li>5x USB, PS/2 mouse and keyboard</li> </ul>
Warranty	<ul style="list-style-type: none"> <li>24 Months Pick-Up-And-Return Service</li> </ul>
Further configuration options	<ul style="list-style-type: none"> <li>It is possible to modify certain components of this basic configuration. Please refer to the Shuttle Systems Configurator on Shuttle's website <a href="http://www.shuttle.com">www.shuttle.com</a></li> </ul>

## Shuttle XPC mini X 200 Specifications

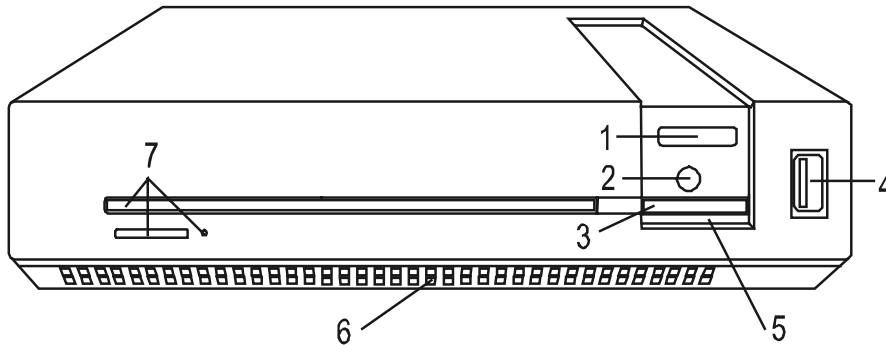
<b>Range of application</b>	Business/Home, This product is not available as barebone system.									
<b>Operating system</b>	Microsoft Windows XP Professional / Home / Media Center Edition 2005 9 languages available: German, English, French, Dutch, Italian, Spanish, Swedish, Finnish, Danish									
<b>Software</b>	CyberLink PowerDVD 6, Nero 6 (subject to change)									
<b>Chassis</b>	X-type chassis, Shuttle Ultra Small Form Factor, synthetic material dimensions: 21 x 29.6 x 5.5 cm cm (DWH) = 3.42 liter Weight: 3.4 kg net									
<b>Power Adapter</b>	External, fanless SilentX power adapter, Active PFC (Power Factor Correction) Output wattage: 80W, Output voltage: 12V, input: 100-240V AC autosensing EMI certified: FCC, CE, BSMI; Safety certified: UL, TÜV, CB, BSMI									
<b>Processor Support</b>	Socket 479 supports Intel Mobile processors, supports 533/667 MHz Front Side Bus Core 2 Duo T7xxx/T5xxx, Core Duo T2xxx, Core Solo T1xxx and Celeron M 4xx with 65 nm manufacturing technology									
<b>Chipset</b>	Mobile Intel® 945GM Express Chipset Northbridge Intel 945GM and Southbridge ICH7M									
<b>Hard disk</b>	Supports 3.5" Serial ATA harddisks Serial ATA II interface with up to 3 Gb/s transfer rate									
<b>Optical drive</b>	Slim slot DVD multi format drive without tray (slot-in), optional as combo drive or DVD writer: <table border="1" data-bbox="520 1424 1067 1648"> <tr> <td></td> <td>Combo Drive</td> <td>DVD Writer</td> </tr> <tr> <td>Read</td> <td>DVD-ROM 8x, CD-ROM 24x</td> <td>DVD-ROM 8x, CD-ROM 24x</td> </tr> <tr> <td>Write</td> <td>CD-R/RW 24x</td> <td>DVD±R 8x, DVD±RW 4x, DVD-RAM 5x, DVD+R DL 2.4x, CD-R 24x, CD-RW 16x</td> </tr> </table>		Combo Drive	DVD Writer	Read	DVD-ROM 8x, CD-ROM 24x	DVD-ROM 8x, CD-ROM 24x	Write	CD-R/RW 24x	DVD±R 8x, DVD±RW 4x, DVD-RAM 5x, DVD+R DL 2.4x, CD-R 24x, CD-RW 16x
	Combo Drive	DVD Writer								
Read	DVD-ROM 8x, CD-ROM 24x	DVD-ROM 8x, CD-ROM 24x								
Write	CD-R/RW 24x	DVD±R 8x, DVD±RW 4x, DVD-RAM 5x, DVD+R DL 2.4x, CD-R 24x, CD-RW 16x								
<b>Memory</b>	2X 200-pin SODIMM memory sockets support DDR2-533/667 modules in sizes of 256, 512 or 1024 MB up to a total size of 2 GB									
<b>Integrated Graphics</b>	Intel Graphics Media Accelerator 950 (GMA950) Powerful 400MHz core and DirectX 9 3D hardware acceleration Dynamic Video Memory Technology (DVMT) 3.0, shared memory max. 224MB Outputs: DVI (digital), VGA (analog, via adapter) Optional splitter for dual monitor operation: DVI and VGA									

<b>Optional TV tuner</b>	Supports analog (PAL/NTSC/SECAM), FM radio and digital DVB-T TV YUAN MPC718 hybrid tuner chip with MPEG2 encoder Connectors for TV and FM antenna Windows Media Center compliant Designed for the Mini PCI expansion slot
<b>Optional remote control</b>	Shuttle MCE Remote Control and build-in infrared receiver inside the chassis
<b>Audio</b>	7.1 channel Intel HD audio sound max. 192kHz/32-Bit, Realtek ALC882 codec Microphone input, line-in, line-out, digital SPDIF output (coaxial)
<b>LAN</b>	Fast Ethernet controller Intel 82562 supports 10/100 Mbit/s data transfer rate
<b>optional WLAN</b>	Supports 802.11 a/b/g, max. 54 Mbit/s data transfer rate, with antenna
<b>Card Reader</b>	Integrated multi-format 4-in-1 card reader (USB 2.0) supports the memory card types: SD, MMC, MS and MS-pro
<b>Front-panel I/O</b>	USB 2.0 connector, Power button with Away Mode, Power LED, LED for hard disk drive and optical drive activity
<b>Back-panel I/O</b>	DVI-I out (including adapter with VGA connector) 4x USB 2.0, PS/2 keyboard, PS/2 mouse, LAN (RJ45) Microphone input, Line-in, Line-out (head phones), Digital Audio SPDIF output (coaxial), DC-in for external power supply
<b>Environmental Limits</b>	Operating temperature: 5 to 30°C (41 to 86°F) Operating humidity: 20 to 80 percent RH (5 to 35°C) Storage temperature: -15 to 50°C (-5 to 122°F)
<b>Accessories</b>	System manual, Quick installation guide, DVI to D-Sub connector Stand, Power adaptor, Power cord
<b>Further configuration options</b>	It is possible to modify certain components of this basic configuration. Please refer to the "Shuttle Systems Configurator".
<b>Warranty</b>	24 Months Pick-Up-And-Return Service

# Shuttle XPC mini X200

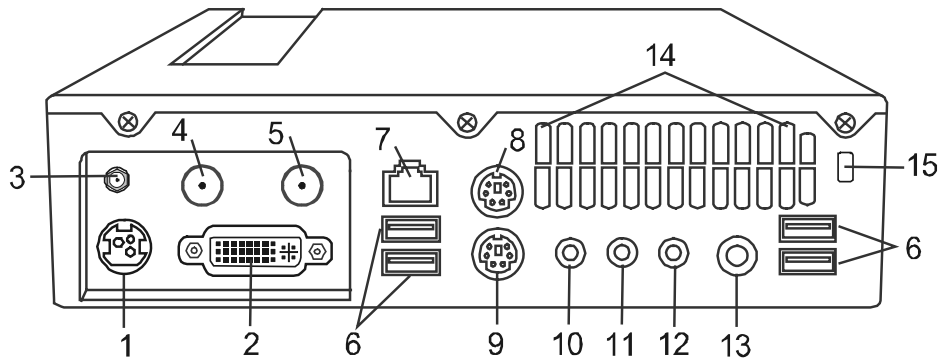
## Advanced Connectivity

Front View



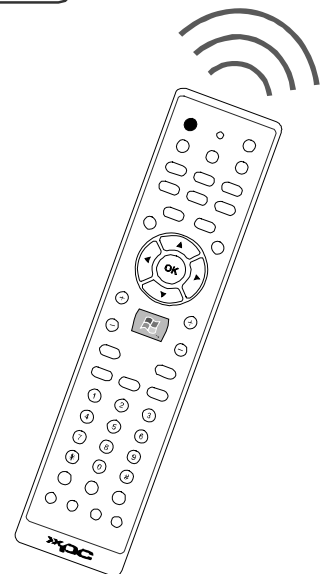
- 1. Power / Suspend Button
- 2. IR Receiver for MCE remote controller (Option)
- 3. 4-in-1 Card Reader
- 4. USB 2.0 Port (x1)
- 5. Power Status LED Lamp
- 6. Ventilation Grill
- 7. Optical Drive, Disk Eject Button and Disk status LED Lamp

Rear View



- |  |   |
|--|---|
| <ul style="list-style-type: none"> <li>1. Power Jack (DC-in)</li> <li>2. DVI-I Port (Sub-D via adapter, optional splitter cable)</li> <li>3. WLAN antenna (Option)</li> <li>4. TV Cable Port (Option)</li> <li>5. FM Radio Antenna Port (Option)</li> <li>6. USB 2.0 Port (x4)</li> <li>7. Ethernet / LAN Port (RJ45)</li> </ul> | <ul style="list-style-type: none"> <li>8. PS/2 Mouse Port</li> <li>9. PS/2 Keyboard Port</li> <li>10. Stereo Headphone (Line-out Jack)</li> <li>11. Audio Line-in Jack</li> <li>12. Microphone Jack</li> <li>13. S/PDIF-out Jack</li> <li>14. Ventilation Grill</li> <li>15. Safe-Lock</li> </ul> |
|--|---|

Media Center Remote Control (optional)



Shuttle X-Series: Recommended Configurations:



	<i>Shuttle XPC mini</i> <b>X200B</b>	<i>Shuttle XPC mini</i> <b>X100H</b>	<i>Shuttle XPC mini</i> <b>X200M</b>
Application	<b>Business</b>	<b>Home</b>	<b>Media Center</b>
Operating System	Windows XP Professional	Windows XP Home	Windows XP MCE 2005
Chipset	Intel 945GM + ICH7M	Intel 945PM + ICH7M	Intel 945GM + ICH7M
Intel Mobile Processor	Intel Celeron M 4xx (Single Core)	Intel Core Duo Intel Core 2 Duo (Dual Core)	Intel Core Duo Intel Core 2 Duo (Dual Core)
Memory (up to 2 GB)	DDR2-533 512MB (2x 256MB) Dual Channel	DDR2-533/667 1 GB (2x 512MB) Dual Channel	DDR2-533/667 1 GB (2x 512MB) Dual Channel
Graphics	Integrated Intel GMA 950 max. 224MB UMA	ATI Mobility Radeon X1400 MXM/PCIe graphics card 128MB GDDR2 VRAM	Integrated Intel GMA 950 max. 224MB UMA
3.5" Harddisk	80GB (or other)	200GB (or other)	300GB (or other)
4-in-1 Card reader	Yes	Yes	Yes
Optical drive	DVD combo drive (reads DVDs, writes CDs)	DVD writer (writes DVDs and CDs)	DVD writer (writes DVDs and CDs)
TV tuner	No (optional)	No	Hybrid TV tuner Analog and DVB-T
Remote Control	No (optional)	No	MCE Remote Control
LAN	Fast Ethernet (100Mbit/s)	Gigabit LAN (1000 Mbit/s)	Fast Ethernet (100Mbit/s)
Wireless LAN	No (optional)	Yes 54 Mbit/s (optional), integrated antenna	Yes 54 Mbit/s (optional), external antenna

It is possible to modify certain components of this basic configuration.  
Please refer to the Shuttle Systems Configurator on Shuttle's website [www.shuttle.com](http://www.shuttle.com)