

Designed to impress

This eye-catching ultra small PC is a fully-featured productivity station an just 5.5 cm tall. It brings style and ergonomics to modern super-efficient offices. It handles all business needs smoothly, is silent and reliable, small and stylish.

The Shuttle XPC mini X 200BC is an ideal for many applications: Digital hub (music, photos and video); Desktop replacement; Home office platform.

Feature Highlight

Category	<ul style="list-style-type: none"> Business
OS	<ul style="list-style-type: none"> Microsoft Windows XP Professional
Processor	<ul style="list-style-type: none"> Intel Celeron M 420 (1.6 GHz), Socket 479
Memory	<ul style="list-style-type: none"> 512MB DDR2-667 SO-DIMMs, Dual Channel
Chipset	<ul style="list-style-type: none"> Intel 945GM + ICH7M
Graphics	<ul style="list-style-type: none"> Intel GMA 950, DirectX 9, 224MB UMA, DVI-I
Audio	<ul style="list-style-type: none"> 7.1 HD-Audio, SPDIF out + analoge ports
LAN	<ul style="list-style-type: none"> Fast Ethernet 10/100 Mbit/s
Storage	<ul style="list-style-type: none"> 80 GB hard disk drive, S-ATA 3 Gbit/s Slot-in DVD Writer drive 4-in-1 memory card reader
Other ports	<ul style="list-style-type: none"> 5x USB PS/2 mouse and keyboard (not included)
Warranty	<ul style="list-style-type: none"> 24 Months Pick-Up-And-Return Service

Shuttle XPC mini X200BC



Pictures for illustration purposes only.

Product ID: X 200BC
Order No: PCS- X0020BC1



4 046047 101603

The configuration of the Shuttle XPC mini X 200BC is only one of several configurations available of the Shuttle XPC mini X 200B series. Please refer to the **Shuttle Systems Configurator** (sys.eu.shuttle.com) to see the full range of other possible built-to-order (BTO) systems.

Shuttle XPC mini X 200BC Specifications

<i>Range of application</i>	Business
<i>Operating system</i>	Microsoft Windows XP Professional 9 languages available: German, English, French, Dutch, Italian, Spanish, Swedish, Finnish, Danish
<i>Software</i>	CyberLink PowerDVD 6, Trend Micro PC-cillin 2005, Nero 6
<i>Chassis</i>	X-type chassis, Shuttle Ultra Small Form Factor, synthetic material dimensions: 21 x 29.6 x 5.5 cm cm (DWH) = 3.42 liter Weight: 3.4 kg net
<i>Power Adapter</i>	External, fanless SilentX power adapter Output wattage: 80W, Output voltage: 12V Input: 100-240V AC autosensing Active PFC (Power Factor Correction) EMI certified: FCC, CE, BSMI; Safety certified: UL, TÜV, CB, BSMI
<i>Processor Support</i>	Socket 479 supports Intel Mobile Processors with 65nm technology. Equipped with Intel Celeron M 420 (1.6 GHz) 533MHz FSB, 1MB Cache, Single Core
<i>Chipset</i>	Mobile Intel® 945GM Express Chipset Northbridge Intel 945GM and Southbridge ICH7M
<i>Hard disk</i>	3.5" Serial ATA harddisks with 80 GB capacity Serial ATA II interface with up to 3 Gb/s transfer rate
<i>Optical drive</i>	Slim Slot Multi Format DVD Writer without tray Read speed: DVD-ROM 8x, CD-ROM 24x Write speed: DVD±R 8x, DVD±RW 4x, DVD-RAM 5x, DVD+R DL 2.4x, CD-R 24x, CD-RW 16x
<i>Memory</i>	512 MB DDR2-667, Dual Channel 2x 200 pin SODIMM modules à 256MB
<i>Integrated Graphics</i>	Intel Graphics Media Accelerator 950 (GMA950) Powerful 400MHz core and DirectX 9 3D hardware acceleration Support up to 2048x1536 graphics resolution Dynamic Video Memory Technology (DVMT) 3.0, shared memory max. 224MB Outputs: DVI (digital), VGA (analog, via adapter)

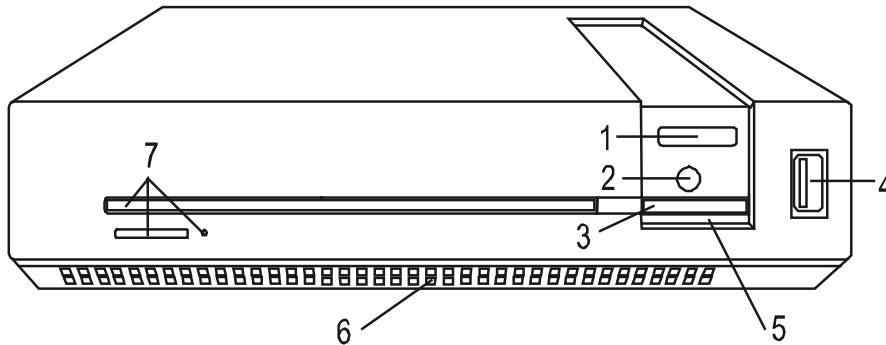
<i>Audio</i>	7.1 channel Intel HD audio sound max. 192kHz/32-Bit, Realtek ALC882 codec Microphone input, line-in, line-out, digital SPDIF output (coaxial)
<i>LAN</i>	Fast Ethernet controller Intel 82562 supports 10/100 Mbit/s data transfer rate
<i>Card Reader</i>	Integrated multi-format 4-in-1 card reader (USB 2.0) supports the memory card types: SD, MMC, MS and MS-pro
<i>Front-panel I/O</i>	USB 2.0 connector Power button with Away Mode Power LED LED for hard disk drive and optical drive activity
<i>Back-panel I/O</i>	DVI-I out (including adapter with VGA connector) 4x USB 2.0 PS/2 keyboard PS/2 mouse LAN (RJ45) Microphone input Line-in Line-out (head phones) Digital Audio SPDIF output (coaxial) Safe-Lock DC-in for external power supply
<i>Environmental Limits</i>	Operating temperature: 5 to 30°C (41 to 86°F) Operating humidity: 20 to 80 percent RH (5 to 35°C) Storage temperature: -15 to 50°C (-5 to 122°F)
<i>Accessories</i>	System manual Quick installation guide DVI to D-Sub connector Stand for vertical operation Power adaptor Power cord
<i>Warranty</i>	24 Months Pick-Up-And-Return Service

©2006 by Shuttle Computer Handels GmbH (Germany). All information subject to change without notice. Pictures for illustration purposes only.

Shuttle XPC mini **X200BC**

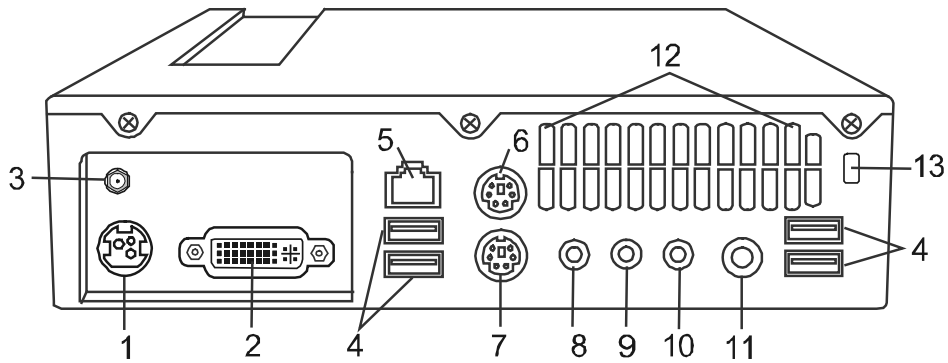
Advanced Connectivity

Front View



- 1. Power / Suspend Button
- 2. IR Receiver for MCE remote controller
- 3. 4-in-1 Card Reader
- 4. USB 2.0 Port (x1)
- 5. Power Status LED Lamp
- 6. Ventilation Grill
- 7. Optical Drive, Disk Eject Button and Disk status LED Lamp

Rear View



- 1. Power Jack (DC-in)
- 2. DVI-I Port (Sub-D via adapter, optional splitter cable)
- 3. WLAN antenna (Option)
- 4. USB 2.0 Port (x4)
- 5. Ethernet / LAN Port (RJ45)
- 6. PS/2 Mouse Port
- 7. PS/2 Keyboard Port
- 8. Stereo Headphone (Line-out Jack)
- 9. Audio Line-in Jack
- 10. Microphone Jack
- 11. S/PDIF-out Jack
- 12. Ventilation Grill
- 13. Safe-Lock