

Designed to impress

This eye-catching ultra small PC is a fully-featured productivity station an just 5.5 cm tall. It brings style and ergonomics to modern super-efficient offices. It handles all business needs smoothly, is silent and reliable, small and stylish.

The Shuttle XPC mini X 200BB is an ideal for many applications: Digital hub (music, photos and video); Desktop replacement; Home office platform.

Feature Highlight

Category	<ul style="list-style-type: none"> Business
OS	<ul style="list-style-type: none"> Microsoft Windows Vista Business
Processor	<ul style="list-style-type: none"> Intel Celeron M 420 (1.6 GHz), Socket 479
Memory	<ul style="list-style-type: none"> 1 GB DDR2-553 SO-DIMMs, Dual Channel
Chipset	<ul style="list-style-type: none"> Intel 945GM + ICH7M
Graphics	<ul style="list-style-type: none"> Intel GMA 950, DirectX 9, 224MB UMA, DVI-I
Audio	<ul style="list-style-type: none"> 7.1 HD-Audio, SPDIF out + analoge ports
LAN	<ul style="list-style-type: none"> Fast Ethernet 10/100 Mbit/s
Storage	<ul style="list-style-type: none"> 80 GB hard disk drive, S-ATA 3 Gbit/s Slot-in DVD Writer drive 4-in-1 memory card reader
Other ports	<ul style="list-style-type: none"> 5x USB PS/2 mouse and keyboard (not included)
Warranty	<ul style="list-style-type: none"> 24 Months Pick-Up-And-Return Service

Shuttle XPC mini X200BB



Pictures for illustration purposes only.

Product ID: X 200BB
Order No: PCS- X0020BB1



The configuration of the Shuttle XPC mini X 200BB is only one of several configurations available of the Shuttle XPC mini X 200B series. Please refer to the **Shuttle Systems Configurator** (sys.eu.shuttle.com) to see the full range of other possible built-to-order (BTO) systems.

Shuttle XPC mini X 200BB Specifications

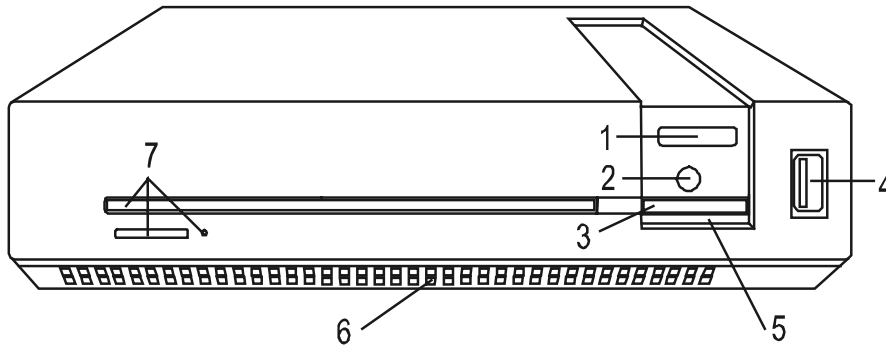
<i>Range of application</i>	Business
<i>Operating system</i>	Microsoft Windows Vista Business with DVD playback Pack (MPEG2 decoder) 9 languages available: German, English, French, Dutch, Italian, Spanish, Swedish, Finnish, Danish
<i>Chassis</i>	X-type chassis, Shuttle Ultra Small Form Factor, synthetic material dimensions: 21 x 29.6 x 5.5 cm cm (DWH) = 3.42 liter Weight: 3.4 kg net
<i>Power Adapter</i>	External, fanless SilentX power adapter Output wattage: 80W, Output voltage: 12V Input: 100-240V AC autosensing Active PFC (Power Factor Correction) EMI certified: FCC, CE, BSMI; Safety certified: UL, TÜV, CB, BSMI
<i>Processor Support</i>	Socket 479 supports Intel Mobile Processors with 65nm technology. Equipped with Intel Celeron M 420 (1.6 GHz) 533MHz FSB, 1MB Cache, Single Core
<i>Chipset</i>	Mobile Intel® 945GM Express Chipset Northbridge Intel 945GM and Southbridge ICH7M
<i>Hard disk</i>	3.5" Serial ATA harddisks with 80 GB capacity Serial ATA II interface with up to 3 Gb/s transfer rate
<i>Optical drive</i>	Slim Slot Multi Format DVD Writer without tray Read speed: DVD-ROM 8x, CD-ROM 24x Write speed: DVD±R 8x, DVD±RW 4x, DVD-RAM 5x, DVD+R DL 2.4x, CD-R 24x, CD-RW 16x
<i>Memory</i>	1024 MB DDR2-553, Dual Channel 2x 200 pin SODIMM modules à 512 MB
<i>Integrated Graphics</i>	Intel Graphics Media Accelerator 950 (GMA950) Powerful 400MHz core and DirectX 9 3D hardware acceleration Support up to 2048x1536 graphics resolution Dynamic Video Memory Technology (DVMT) 3.0, shared memory max. 224MB Outputs: DVI (digital), VGA (analog, via adapter)
<i>Audio</i>	7.1 channel Intel HD audio sound max. 192kHz/32-Bit, Realtek ALC882 codec Microphone input, line-in, line-out, digital SPDIF output (coaxial)

<i>LAN</i>	Fast Ethernet controller Intel 82562 supports 10/100 Mbit/s data transfer rate
<i>Card Reader</i>	Integrated multi-format 4-in-1 card reader (USB 2.0) supports the memory card types: SD, MMC, MS and MS-pro
<i>Front-panel I/O</i>	USB 2.0 connector Power button with Away Mode Power LED LED for hard disk drive and optical drive activity
<i>Back-panel I/O</i>	DVI-I out (including adapter with VGA connector) 4x USB 2.0 PS/2 keyboard PS/2 mouse LAN (RJ45) Microphone input Line-in Line-out (head phones) Digital Audio SPDIF output (coaxial) Safe-Lock DC-in for external power supply
<i>Environmental Limits</i>	Operating temperature: 5 to 30°C (41 to 86°F) Operating humidity: 20 to 80 percent RH (5 to 35°C) Storage temperature: -15 to 50°C (-5 to 122°F)
<i>Accessories</i>	System manual Quick installation guide DVI to D-Sub connector Stand for vertical operation Power adaptor Power cord
<i>Warranty</i>	24 Months Pick-Up-And-Return Service

Shuttle XPC mini **X200BB**

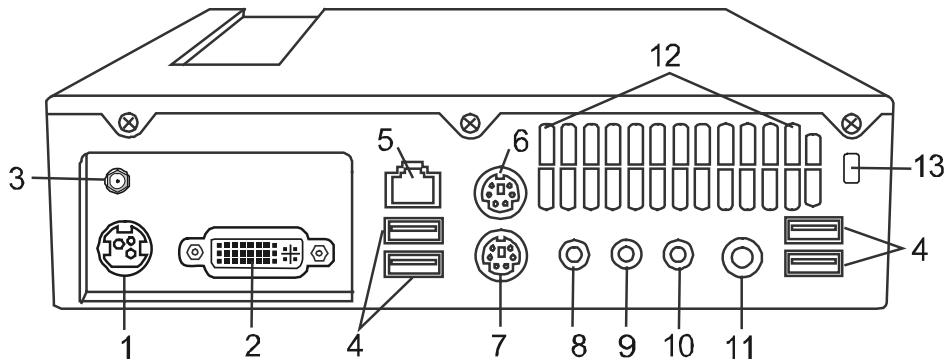
Advanced Connectivity

Front View



- 1. Power / Suspend Button
- 2. IR Receiver for MCE remote controller
- 3. 4-in-1 Card Reader
- 4. USB 2.0 Port (x1)
- 5. Power Status LED Lamp
- 6. Ventilation Grill
- 7. Optical Drive, Disk Eject Button and Disk status LED Lamp

Rear View



- 1. Power Jack (DC-in)
- 2. DVI-I Port (Sub-D via adapter, optional splitter cable)
- 3. WLAN antenna (Option)
- 4. USB 2.0 Port (x4)
- 5. Ethernet / LAN Port (RJ45)
- 6. PS/2 Mouse Port
- 7. PS/2 Keyboard Port
- 8. Stereo Headphone (Line-out Jack)
- 9. Audio Line-in Jack
- 10. Microphone Jack
- 11. S/PDIF-out Jack
- 12. Ventilation Grill
- 13. Safe-Lock

Shuttle X-Series: Recommended Configurations:



	<i>Shuttle XPC mini X200B</i>	<i>Shuttle XPC mini X100H</i>	<i>Shuttle XPC mini X200M</i>
Application	Business	Home	Media Center
Operating System	Windows XP Professional Windows Vista Home Basic Windows Vista Business	Windows XP Home Windows Vista Home Premium / Ultimate	Windows XP MCE 2005 Windows Vista Home Premium / Ultimate
Chipset	Intel 945GM + ICH7M	Intel 945PM + ICH7M	Intel 945GM + ICH7M
Intel Mobile Processor	Intel Celeron M 4xx (Single Core)	Intel Core Duo Intel Core 2 Duo (Dual Core)	Intel Core Duo Intel Core 2 Duo (Dual Core)
Memory (up to 2 GB)	DDR2-533 512MB (2x 256MB) Dual Channel	DDR2-533/667 1 GB (2x 512MB) Dual Channel	DDR2-533/667 1 GB (2x 512MB) Dual Channel
Graphics	Integrated Intel GMA 950 max. 224MB UMA	ATI Mobility Radeon X1400 MXM/PCIe graphics card 128MB GDDR2 VRAM	Integrated Intel GMA 950 max. 224MB UMA
3.5" Harddisk	80GB (or other)	250GB (or other)	320GB (or other)
4-in-1 Card reader	Yes	Yes	Yes
Optical drive	DVD combo drive (reads DVDs, writes CDs)	DVD writer (writes DVDs and CDs)	DVD writer (writes DVDs and CDs)
TV tuner	No (optional)	No	Hybrid TV tuner Analog and DVB-T
Remote Control	No (optional)	No	MCE Remote Control
LAN	Fast Ethernet (100Mbit/s)	Gigabit LAN (1000 Mbit/s)	Fast Ethernet (100Mbit/s)
Wireless LAN	No (optional)	Yes 54 Mbit/s (optional), integrated antenna	Yes 54 Mbit/s (optional), external antenna

It is possible to modify certain components of this basic configuration.
Please refer to the Shuttle Systems Configurator on Shuttle's website www.shuttle.com