

Economic entry-level Mini-PC

The Shuttle XPC J4 4100B is a Mini-PC with socket 775 processor from Intel. The new J4 front panel comes with a removable acrylic plate which allows to create individual front designs. Uncompromising reliability and maximum compatibility are guaranteed by the G41 Express Chipset. J4 4100B can be delivered with up to 8 GB of dual channel DDR3 memory and two 2-terabyte hard disks. The integrated graphics supports dual monitoring via DVI and VGA outputs. In addition, the PCI-Express X16 slot can be equipped with an optional discrete graphics card.

XPC System J4 4100B



Product photo without optical drive.



Photo with built-in DVD drive.



Rear view

Images for illustration purpose only.

Feature Highlights

J4 chassis	<ul style="list-style-type: none"> Black case, 32.5 x 21.5 x 19 cm LWH Front panel with acrylic plate allows to create individual front design
O.S.	<ul style="list-style-type: none"> Windows 7 Home Premium / Professional 64 bit or 32 bit, several languages
Chipset	<ul style="list-style-type: none"> Intel G41 + ICH7
CPU	<ul style="list-style-type: none"> Intel LGA775 processor, max. 95W TDP Intel Core 2 Quad/Duo, Pentium or Celeron (800, 1066 & 1333 MHz FSB) Default: Intel boxed cooling fan Optional: ICE Genie3 Heatpipe PM65
Memory	<ul style="list-style-type: none"> With 2, 4 or 8 GB DDR3-1333
Graphics	<ul style="list-style-type: none"> Integrated Intel GMA X4500 graphics Shared Memory: max. 1759MB **) Video outputs: DVI-D and VGA Optional PCI-Express X16 graphics card
Storage	<ul style="list-style-type: none"> Optional DVD multi-format writer One or two hard disks up to 2 TB each
Slots	<ul style="list-style-type: none"> 1x PCI-Express x16 for graphics cards 1x PCI (32 Bit)
Connectors	<ul style="list-style-type: none"> Video outputs: DVI-D and VGA 5.1-channel HD audio USB 2.0 (2x front, 4x rear, 2x onboard) Gigabit LAN Optional: COM+LPT ports (J-RS232)
Power supply	<ul style="list-style-type: none"> 250 Watt mini power supply
Application	<ul style="list-style-type: none"> Basic

Shuttle XPC J4 4100B – Special Product Features



The new J4 chassis: a clean and modern look...

Shuttle has always placed great emphasis on the interior and exterior aesthetics of the XPC, with the belief that a good blend of style and form factor allows the XPC to be attractive, versatile, and work well in almost any environment - whether the living room, bedroom, or office. With the new J4 style, Shuttle retains its trademark appearance and adds a clean, modern look to the front of the XPC.

... and customisable

Users can easily customize this XPC. Just change the mylar behind the acrylic front plate and enjoy your individual design or company's logo.



Small

Shuttle's XPCs offer the power of a desktop PC in a form factor one-third the size while using standard desktop components.



Supports one optical drive and two hard disks

Despite the small housing, users can install one optical drive and up to two hard disks into the XPC. But what about heat? Many of the clever design elements of the XPC get little attention. For example, the drive rack built into the XPC leaves space between the hard disks to improve air flow. Intelligently-engineered airflow mechanics channels cool air to where it's needed most - protecting components and providing optimal performance.



Dual View Technology with DVI and VGA

Dual View technology offers multiple display support on up to two separate monitors. This improves the capabilities and productivity of the user by allowing them to spread multiple windows over two monitors and view them simultaneously.



Supports Dual-Slot Graphics Cards

With a renewed mainboard layout, this XPC is capable of running dual-slot (double-width) PCI Express graphics cards. Note, that the integrated graphics will be disabled, while using a discrete graphics card.



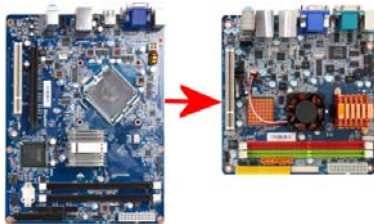
Supports Socket-775 CPU and up to 8 GB DDR3

You can choose from a wide range of Socket 775 Intel processors starting from Celeron up to Quad Core with a maximum TDP wattage of 95W. Also the system memory can be configured according to your needs up to a total size of 8GB DDR3-1333.



Processor Cooling

J4 4100B is delivered with the Intel-boxed processor cooling fan. As an option, you can choose the Shuttle ICE Genie3 Heatpipe Cooling System (PM65).



Mini-ITX Mainboard Support

Shuttle expands the capabilities of its chassis, adding support for Mini-ITX mainboards (17 x 17cm or 6.7 x 6.7 inches). The Shuttle chassis can go beyond the Shuttle mainboard, so you can easily upgrade or downgrade the mainboard to your desire, without any modifications to the chassis.



Gigabit LAN Network

Today's media-rich communications across the Internet and within enterprises are creating new demands towards clients in Local Area Networks. For that reason Shuttle uses the Gigabit LAN performance even in the business and entry-level segment of their XPC line.



Solid Capacitors

The new generation of solid capacitors is used in the temperature sensitive part of the CPU voltage regulator. The lifespan of solid capacitors is in fact up to six times longer than the more common electrolytic capacitors.



Optional: Serial and parallel ports (Accessory J-RS232)

The optional slot bracket adapter J-RS232 provides one serial and one parallel port to the back panel. The cable of this adapter is connected to the onboard LPC header and the PCI expansion slot is occupied by the adapter. The adapter can not be used, if a PCI card or a dual-slot graphics card needs to be installed. Many PCs do not have these legacy ports since they have been superseded for most consumer applications, but they are commonly still used in applications such as industrial automation systems, scientific analysis, POS systems and some industrial products.

Shuttle XPC J4 4100B Black Specification

<i>Application</i>	Recommended range of application: Business
<i>Basis</i>	System based on: Shuttle XPC Barebone SG41J4
<i>O.S.</i>	Operating system: Microsoft Windows 7 Home Premium or Professional 32 or 64 Bit version 6 languages available: German, English, French, Dutch, Italian, Spanish
<i>Chassis</i>	J4-type chassis made of steel and acrylic front plate, color: black Customize this XPC by inserting your photo behind the acrylic plate Storage bays: 1x 13.5cm (5.25") external, 2x 8.9cm (3.5") internal Dimensions: 32.5 x 21.5 x 19 cm (LWH) = 13.3 liters Weight: 7.0 kg net, 7.5 kg gross 9.2cm rpm-controlled system fan with 4 pin connector Kensington Security Slot at the back panel (also called a K-Slot or Kensington lock) as a part of an anti-theft system
<i>Chipset</i>	Intel G41 Express + ICH7 (TDP: 24W + 3.3W)
<i>BIOS</i>	AMI legacy core SPI interface, 8MB Flash ROM Supports PnP, ACPI 3.0 Supports external USB flash memory card boot up
<i>Processor</i>	With Intel processor in Socket 775, e.g.: Core 2 Quad, Core 2 Duo, Pentium Dual Core, Celeron with 800, 1066 or 1333 MHz front side bus (FSB) frequency Maximum power consumption: TDP = 95W
<i>Processor cooling</i>	In default configuration, this system is delivered with the Intel boxed processor cooler. Optional available: Shuttle ICE Genie3 heat-pipe cooling (PM65) system with 92mm fan
<i>Memory</i>	2 x 240 pin DIMM memory slots populated with a total size of 2, 4 or 8 GB DDR3-1333 memory modules
<i>Optical drive</i>	Optional Multi-format 5.25" DVD writer
<i>Hard disk(s)</i>	Serial ATA hard disk up to 2000 GB Second hard disk as an option.

<p><i>Slots</i></p>	<p>1 x PCI-Express x16 v1.0 (for graphics cards only) 1 x PCI (32 Bit) Supports Dual-slot (double-width) PCI Express x16 graphics cards, however, you cannot use the PCI slot in this case. ***) If a discrete graphics card is used, the onboard graphics will be deactivated.</p>
<p><i>Integrated Graphics</i></p>	<p>Intel Graphics Media Accelerator X4500 (GMA X4500) Supports Microsoft DirectX 10, Shader Model 4.0 und OpenGL 2.0 Supports Intel Clear Video Technology with ProcAmp color control Maximum DVI resolution: 2048x1536 Max. shared video memory size (UMA): 1759MB**) Dual View: Analog VGA and digital DVI outputs Two video outputs can be used at the same time Supports dual independent display</p>
<p><i>Optional graphics card</i></p>	<p>Discrete ATI or NVIDIA graphics card optional If a discrete graphics card is used, the onboard graphics will be deactivated.</p>
<p><i>5.1-channel Audio</i></p>	<p>Audio Codec: IDT 92HD89C, 5.1 channel Three analog audio connectors (3.5mm) at the Back-Panel: 1) Front Line out (head phone) 2) Rear Surround line-out (shared with microphone input) 3) Center line-out (shared with Line in) Front panel: microphone input and head phone output</p>
<p><i>Gigabit-LAN Controller</i></p>	<p>Marvell 88E8057 Ethernet network controller (Gigabit) Supports 100 / 1.000 MBit/s operation (100Base-TX/1000Base-T) Supports Wake-on-LAN (WOL)</p>
<p><i>Front panel connectors</i></p>	<p>Microphone (3,5 mm) Headphone /Line-out (3,5 mm) 2x USB 2.0 (Hi-Speed) Power button Power on LED (blue) Hard disk read/write LED (orange)</p>
<p><i>Back panel connectors</i></p>	<p>DVI-D output (24 pin, digital) VGA output (D-Sub, analog) 4x USB 2.0 (Hi-Speed) GigaBit LAN (RJ45) PS/2 keyboard (6-pol. Mini-DIN) PS/2 mouse (6-pol. Mini-DIN) Audio Line in, Line out, Microphone Clear CMOS button Optional: Serial and parallel port ***)</p>
<p><i>Other connectors</i></p>	<p>2x USB 2.0 (2x5 pin header) LPC port ***) Audio Aux-in</p>

<p><i>Power supply</i></p>	<p>250 Watt mini power supply unit with power cord Input voltage range: 100~240V Connectors: 20-pin ATX, 4-pin ATX1 2V Other connectors: 2x SATA, 3x Molex, 1x Floppy Active PFC (Power Factor Correction) 50mm cooling fan</p>
<p><i>Options</i></p>	<p>It is possible to modify certain components of this basic configuration. Please refer to the "Shuttle Systems Configurator".</p>
<p><i>Warranty</i></p>	<p>24 Months Pick-Up-And-Return Service</p>
<p><i>Conformity Certification</i></p>	<p>EMI: FCC, CE, BSMI Safety: CB, BSMI Others: RoHS, Eup Lot6 This device is classed as a technical information equipment (ITE) in class B and is intended for use in living room and office. The CE-mark approves the conformity by the EU-guidelines: - EMV-guideline 89/336/EWG electromagnetic tolerance - LVD-guideline 73/23/EWG use of electric devices within certain voltage-limits</p>

***) Overclocking Warning**

Please note there is a certain risk involved with overclocking, including adjusting the setting in the BIOS or using third-party overclocking tools. Overclocking may affect your system stability or even cause damage of the components and devices of your system. It is done at your own risk and expense. Shuttle cannot be held responsible for possible damage caused by overclocking.

*****) Shared Memory Size**

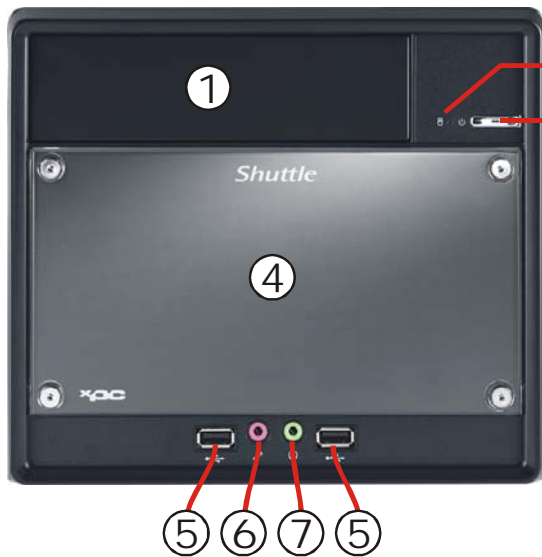
The shared memory size is dynamically controlled by VGA driver, and the Max. shared memory size will be available only when 4GB or more memory is installed under 64-bit OS.

******) Optional slot bracket adapter for serial and parallel ports J-RS232**

The optional accessory J-RS232 is a slot bracket adapter which can be used to provide one serial and one parallel port at the back panel. One expansion slot (PCI or PCI Express) will be occupied by the adapter.

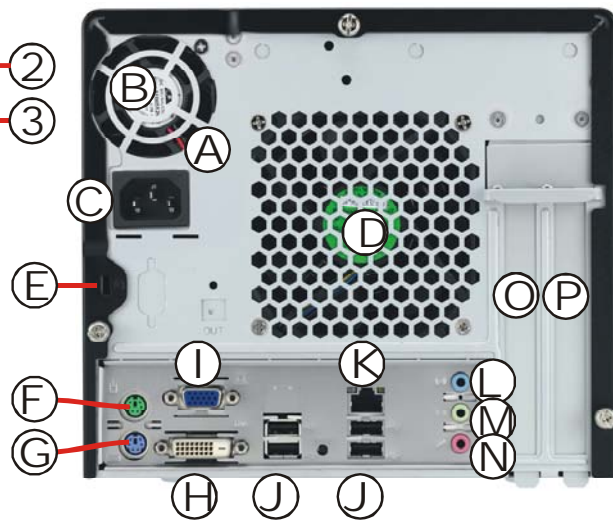
Shuttle XPC J4 4100B Black – Connectors

Front View



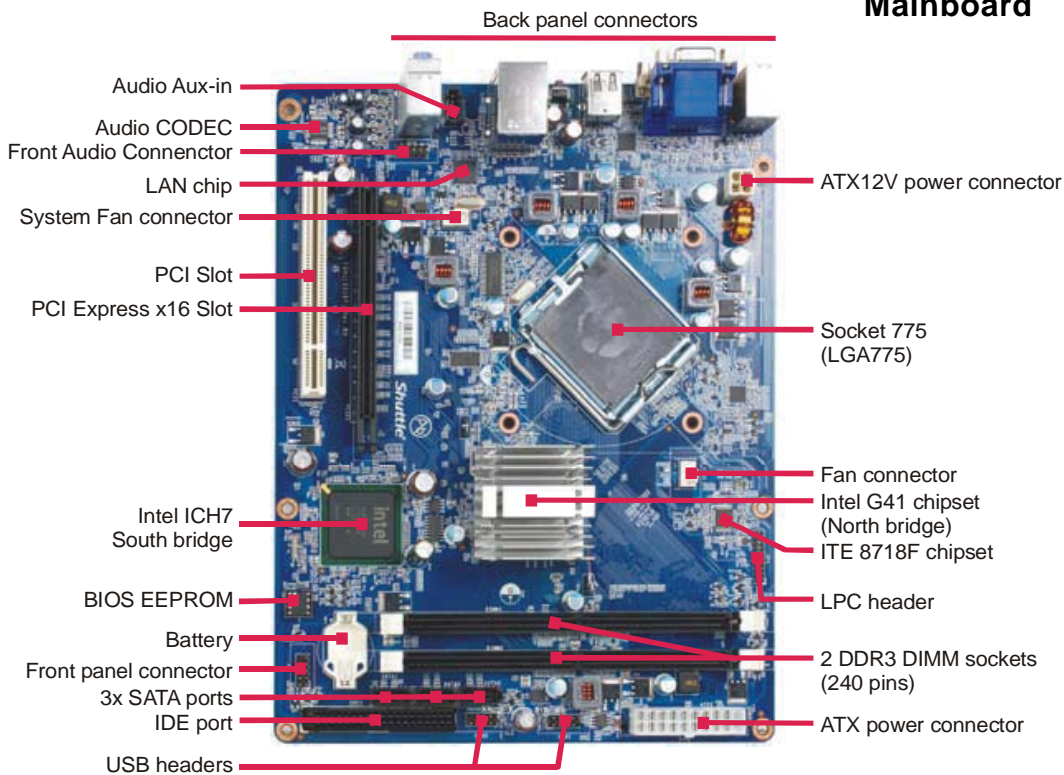
- (1) 5.25" bay
- (2) Hard disk LED indicator
- (3) Power button with Power LED
- (4) Acrylic front plate
- (5) 2x USB ports
- (6) Microphone input
- (7) Headphone output

Rear View



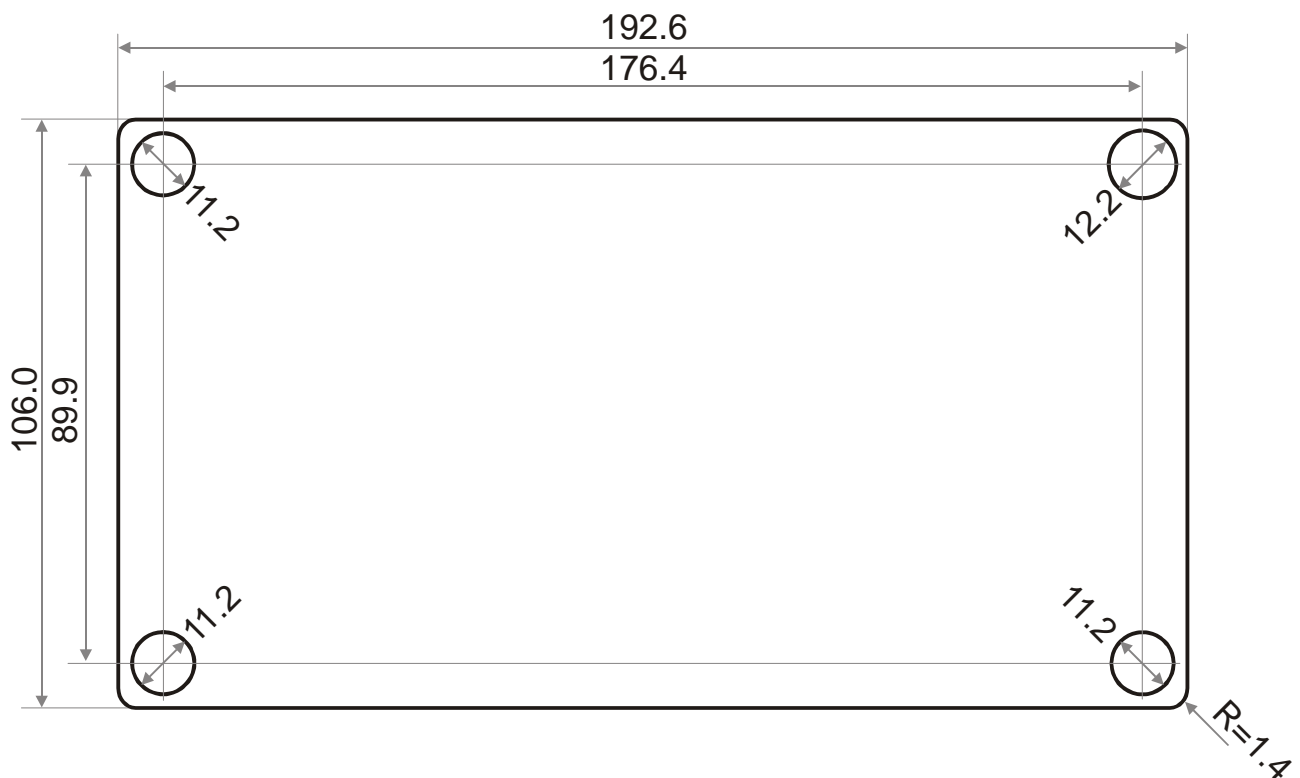
- (A) Power supply consist of
- (B) PSU cooling fan and
- (C) AC power connector
- (D) Chassis cooling fan
- (E) Hole for Kensington-Lock
- (F) PS/2 mouse port
- (G) PS/2 keyboard port
- (H) DVI-D video port (digital)
- (I) VGA video port (analog)
- (J) 4x USB ports
- (K) RJ45 LAN port
- (L) Audio Line-in port
- (M) Audio Line-out port
- (N) Microphone-in port
- (O) PCI-Express X16 slot
- (P) PCI slot

Mainboard



Shuttle XPC J4 4100B – Mylar Dimensions

The J4 front panel comes with a removable acrylic plate which allows to create individual front designs. Just change the mylar behind the acrylic front plate and enjoy your individual design or company's logo.



All dimensions in millimeter (mm)



Example